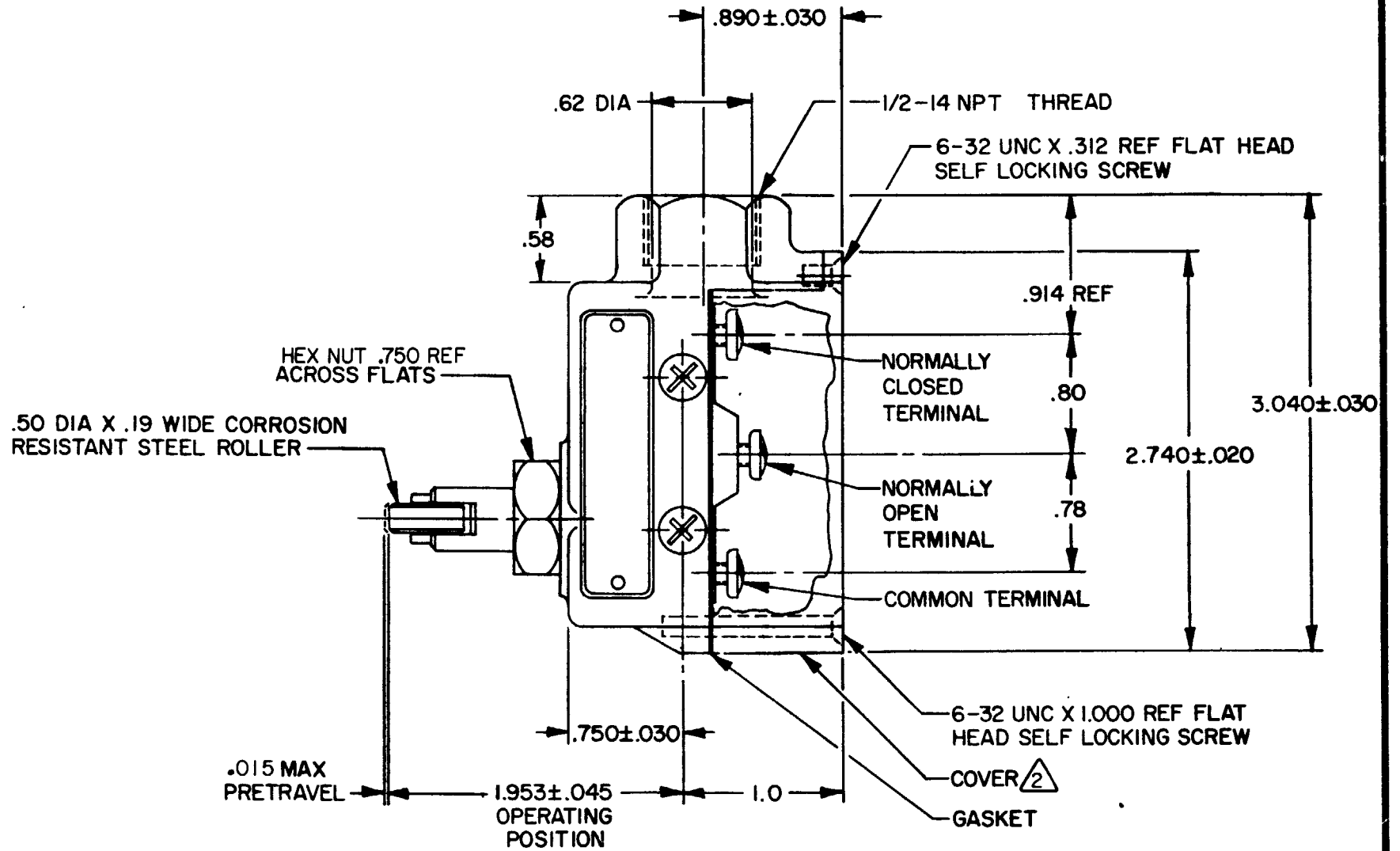
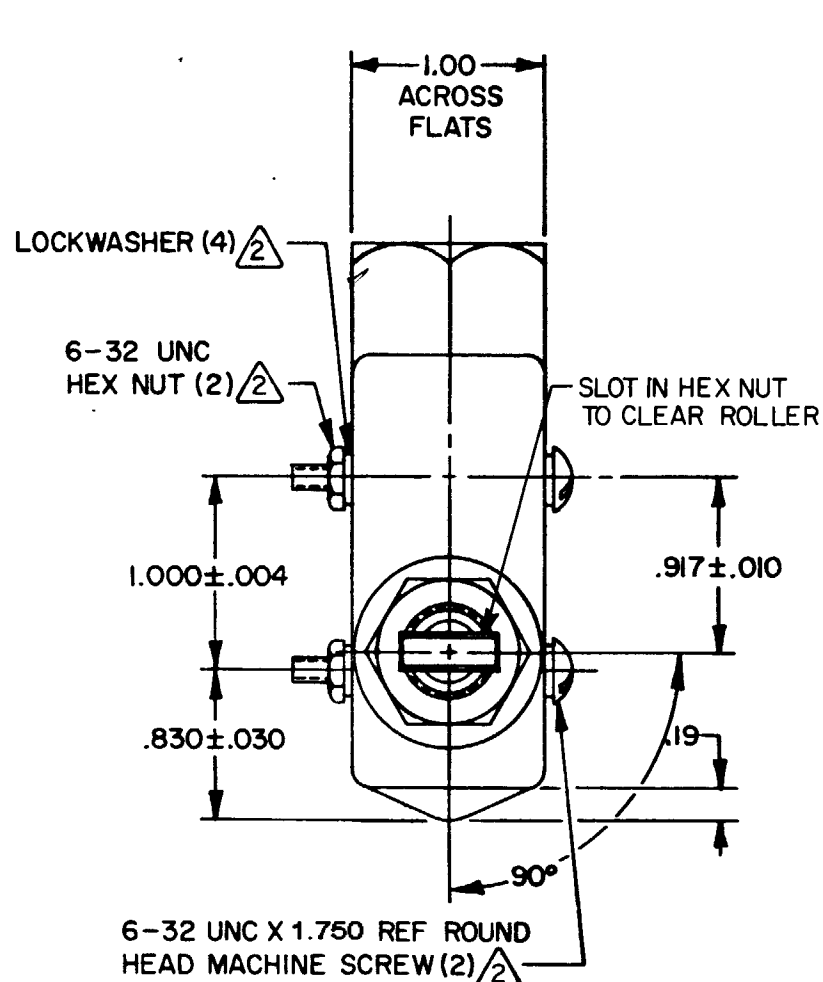


MICRO SWITCH
 FREEPORT, ILLINOIS, U.S.A.
 A DIVISION OF HONEYWELL
 FED. MFG. CODE 91929

SWITCH - ENCLOSED

CATALOG LISTING
BZE6-2RQ81

BZE6-2RQ81
 M
 DRAWING NUMBER
 ISSUE 10
 29AUG07
 PSR
 RELEASE NO.
 REPLACES
 REVISIONS
 A CO-38200
 SLB 16 SEPT 77
 B C053191F
 TSK 13 APR 84
 C C055989
 JAS 6 NOV 84
 D C054958
 TSK 26 FEB 85
 E C072618
 L J F 11 SEP 92
 F 0016894
 KRB 10 NOV 05
 G 0033014
 BS 29AUG07
 DRAWN
 RASTER
 FO-3285 1-A



NOTES -

- ① - 6-32 UNC X .219 REF BINDING HEAD TERMINAL SCREW AND CUPWASHER (3)
- ② FURNISHED UNASSEMBLED
- ③ SEAL RATING: NEMA 1
IP40

THIS DRAWING COVERS A PROPRIETARY ITEM AND IS THE PROPERTY OF MICRO SWITCH, A DIVISION OF HONEYWELL. THIS DRAWING IS NOT TO BE COPIED OR USED WITHOUT THE APPROVAL OF MICRO SWITCH.

CHARACTERISTICS	ELECTRICAL DATA	SCALE FULL
OPERATING FORCE ----- 9-13 OZ	CONTACT ARRANGEMENT S P D T	DO NOT SCALE PRINT
RELEASE FORCE ----- 4 OZ MIN	15A-125, <u>250</u> OR 480 VAC, 2A-600 VAC 1/8 HP-125 VAC; 1/4 HP- <u>250</u> VAC 1/2A-125 VDC; 1/4A-250 VDC CODE L74	UNLESS OTHERWISE NOTED DIMENSIONS ARE IN INCHES
DIFFERENTIAL TRAVEL ----- .002 MAX	 1.5A, 240 Vac	TOLERANCES ARE:
OVERTRAVEL ----- .140 MIN		ONE PLACE (.0) ± .030 TWO PLACE (.00) ± .015 THREE PLACE (.000) ± .005 ANGLES ± .005
BASIC SWITCH REPLACEMENT ----- BZ-2RQ785	WEIGHT .56 LB	